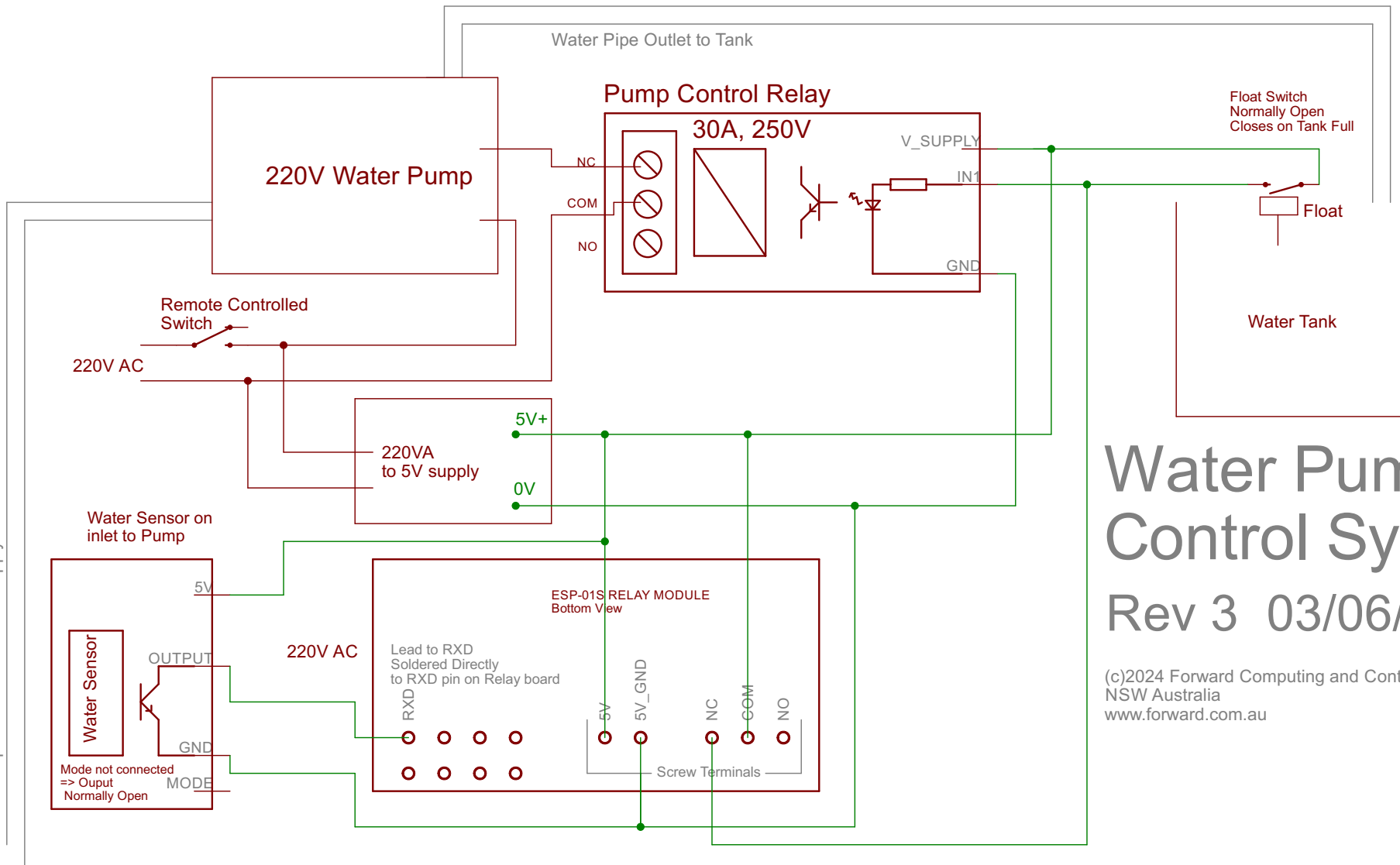


Water Pipe Inlet From Street Supply



Water Pump Control System

Rev 3 03/06/2024

(c)2024 Forward Computing and Control Pty. Ltd
NSW Australia
www.forward.com.au